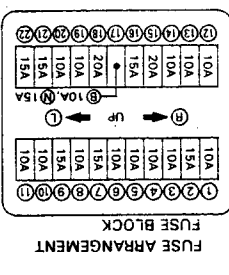
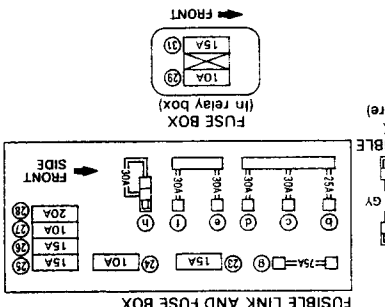
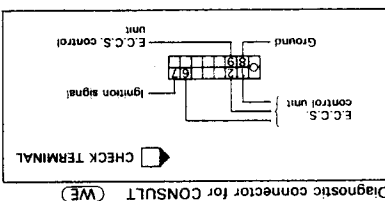
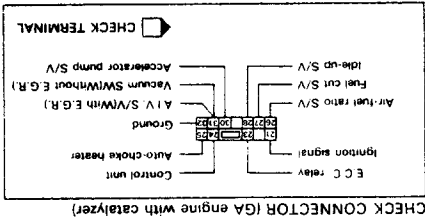
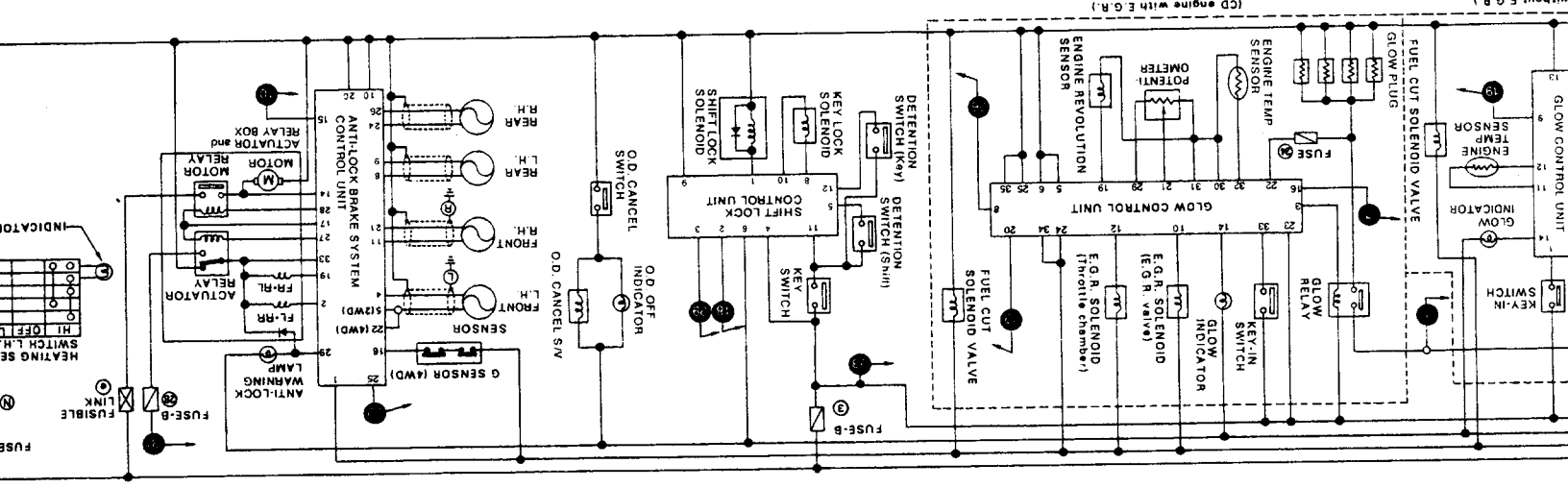
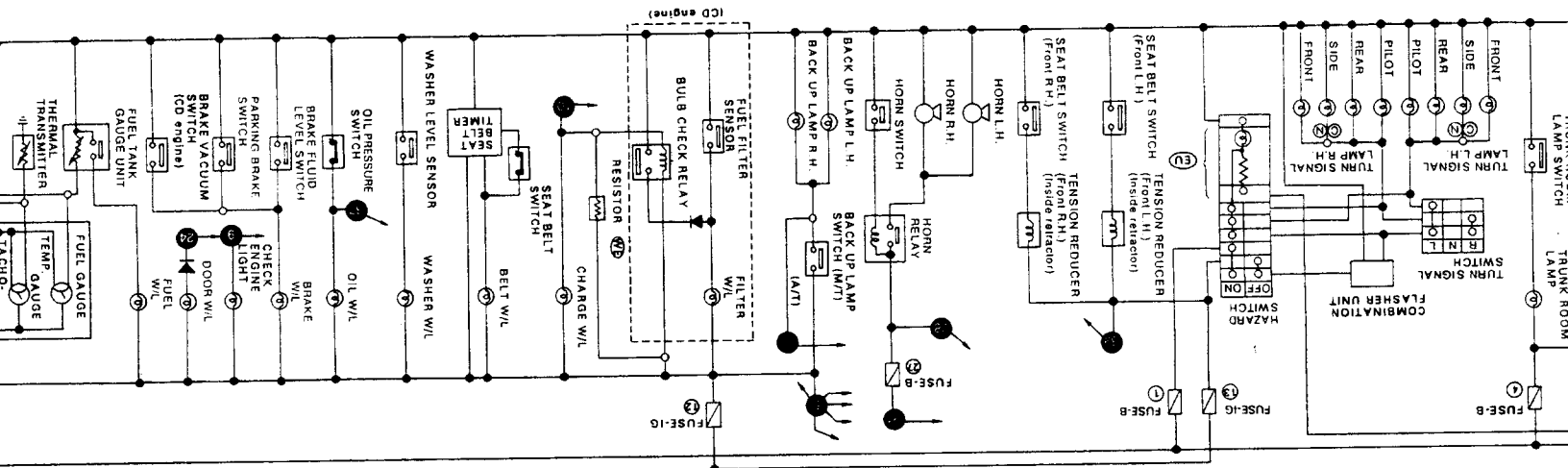
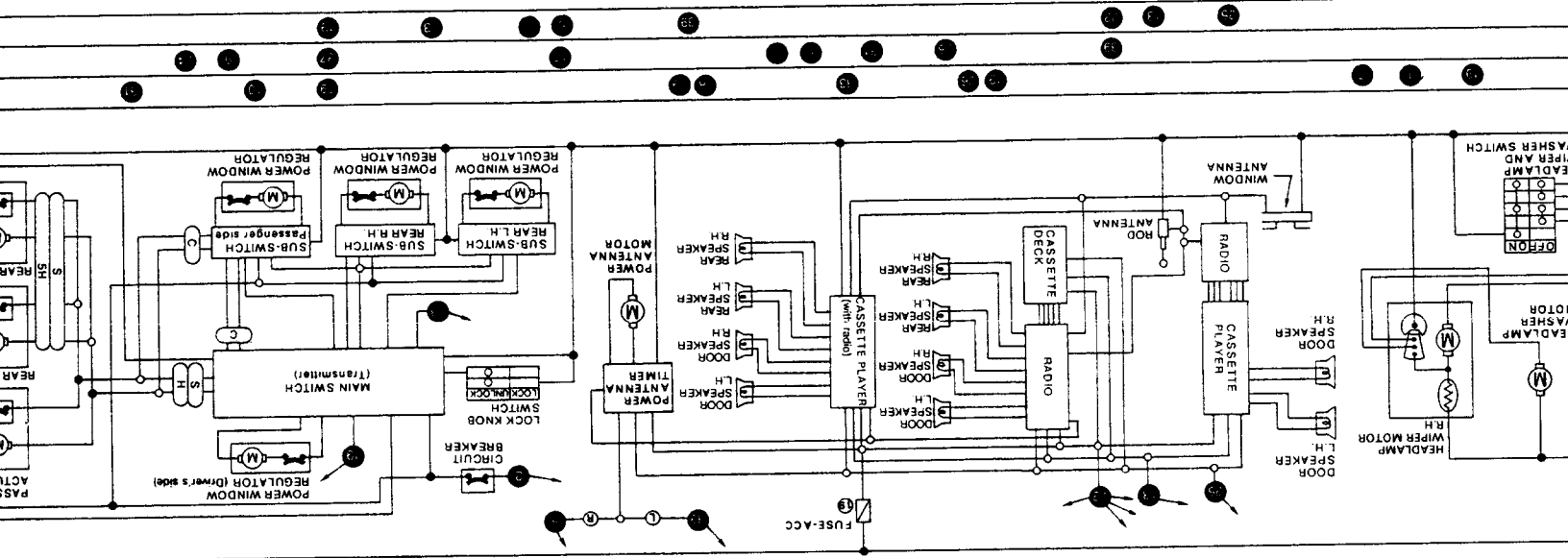
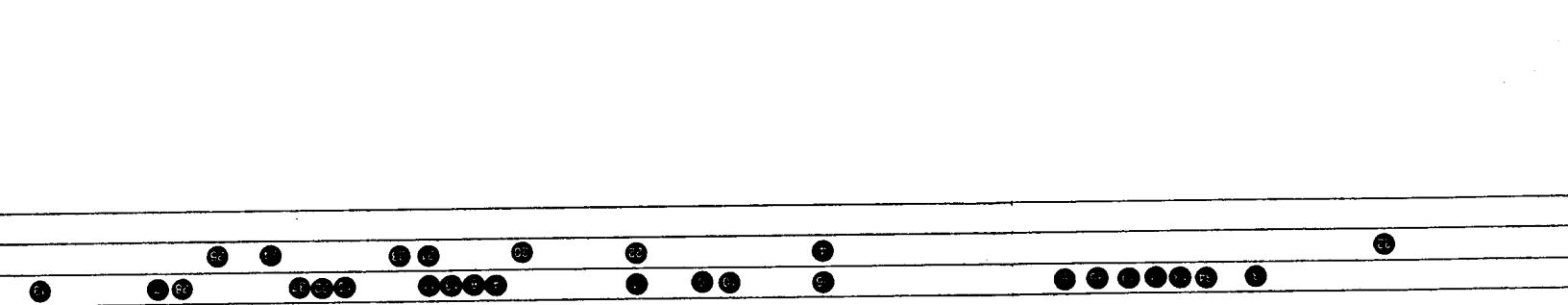
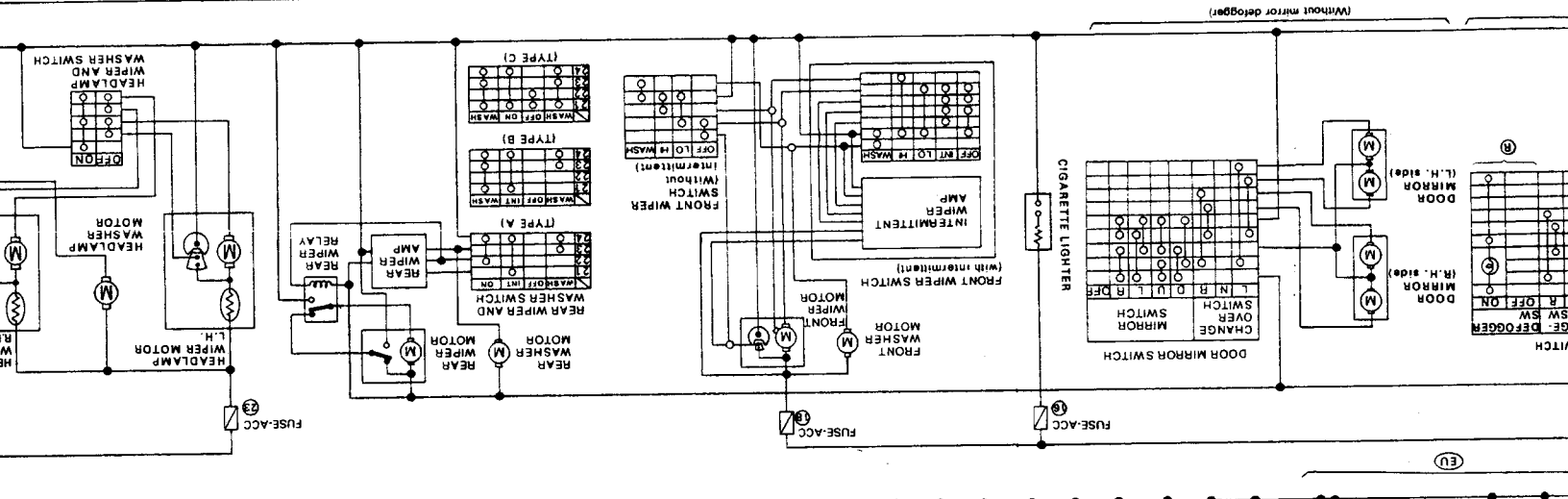
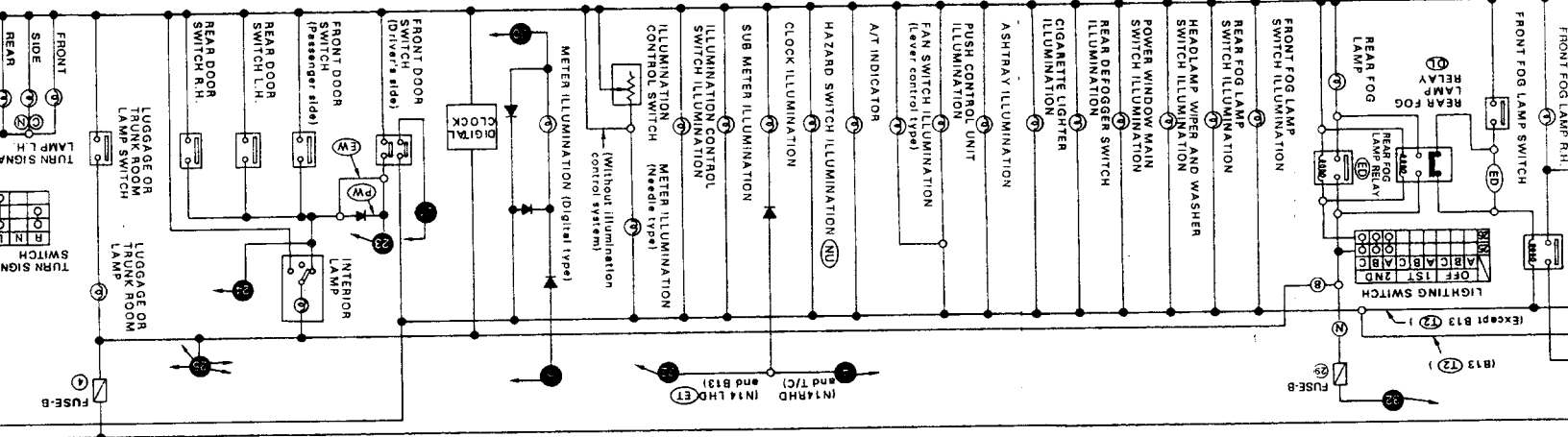
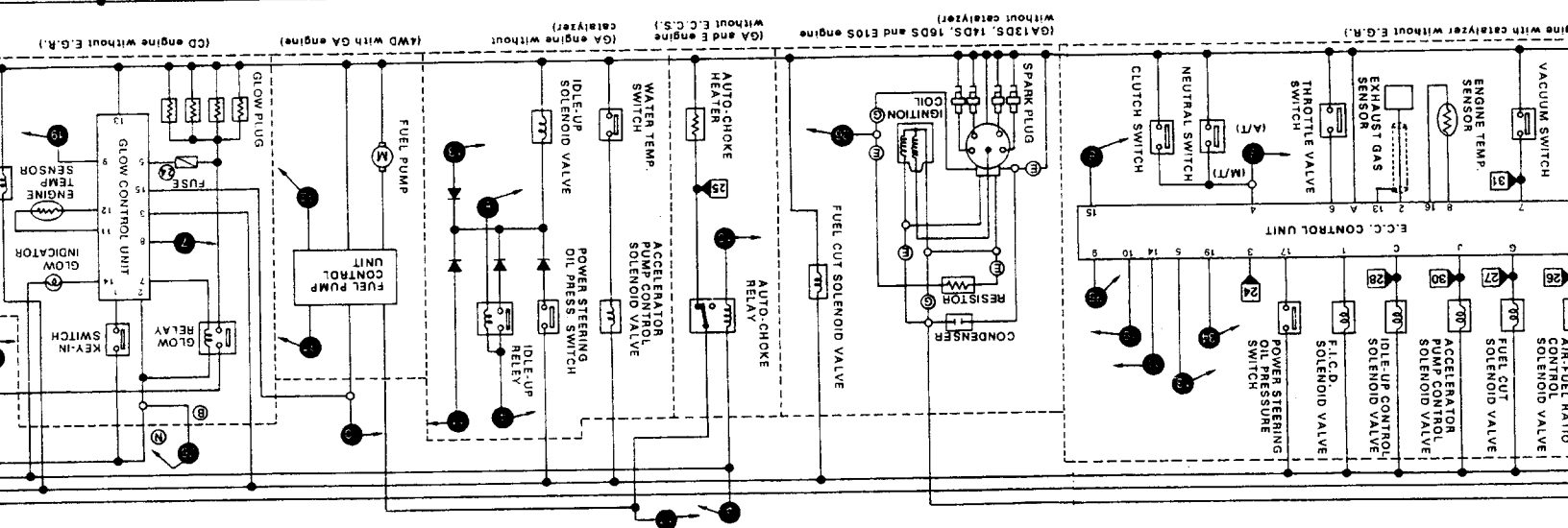
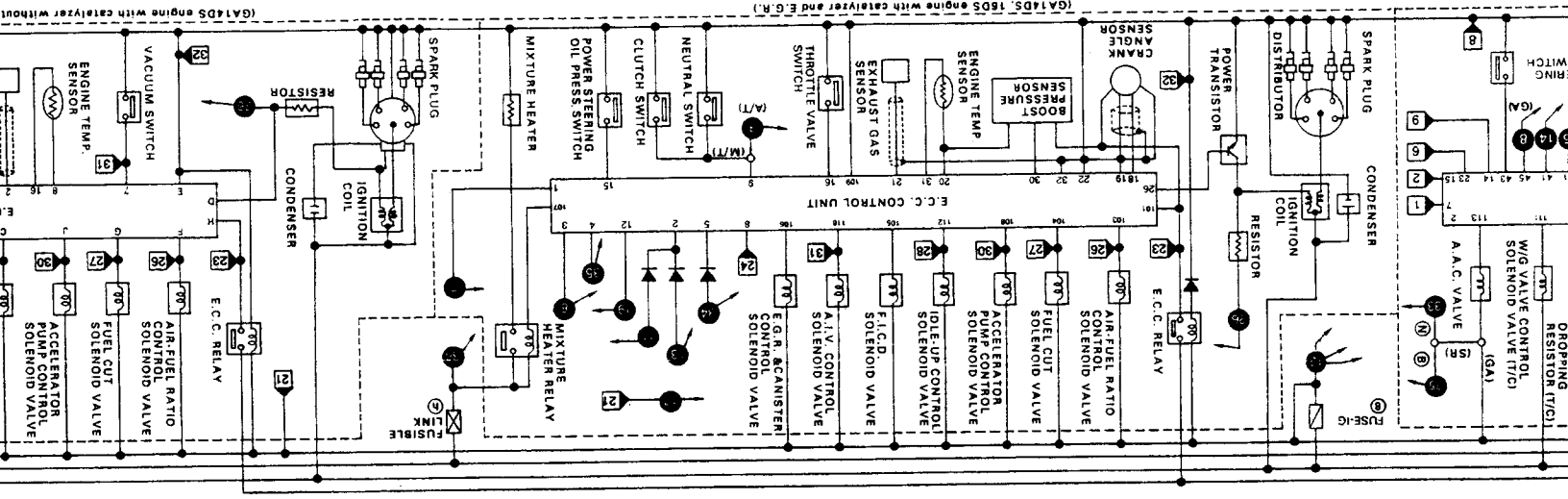
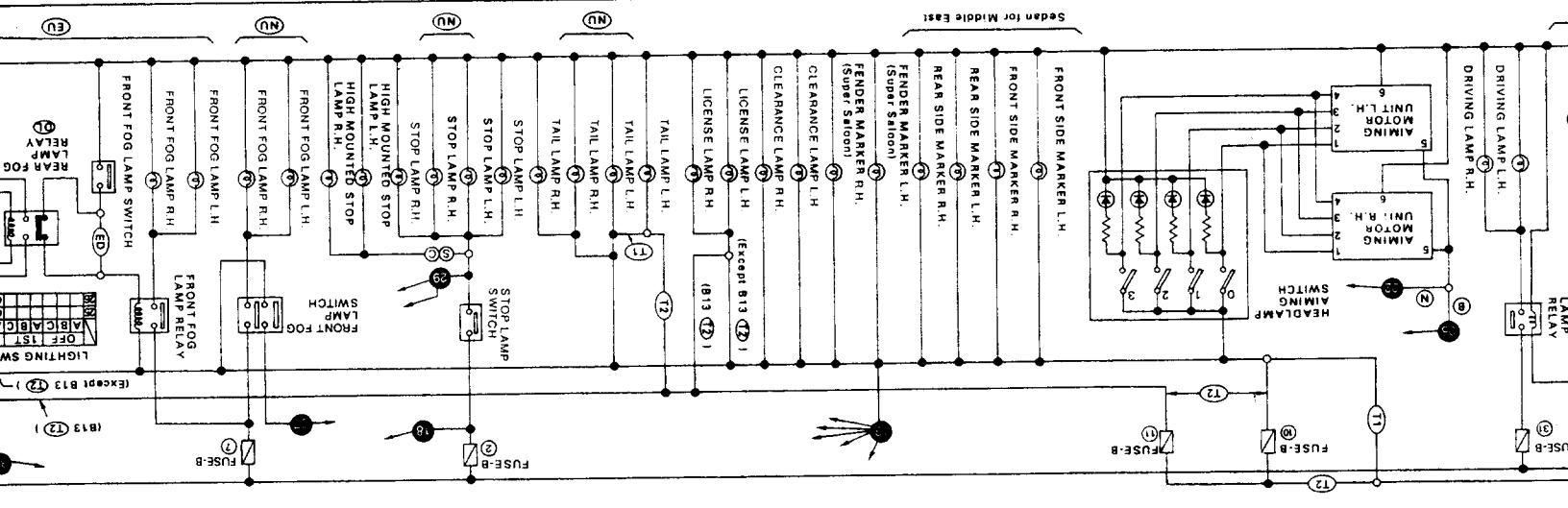
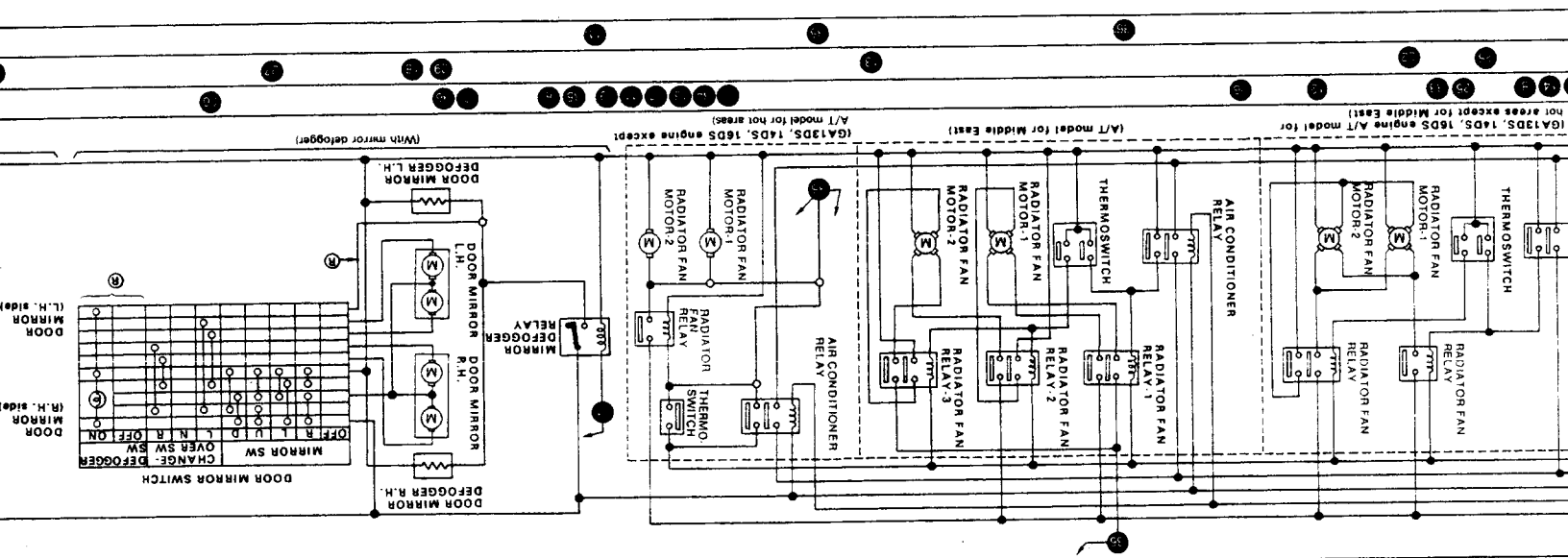


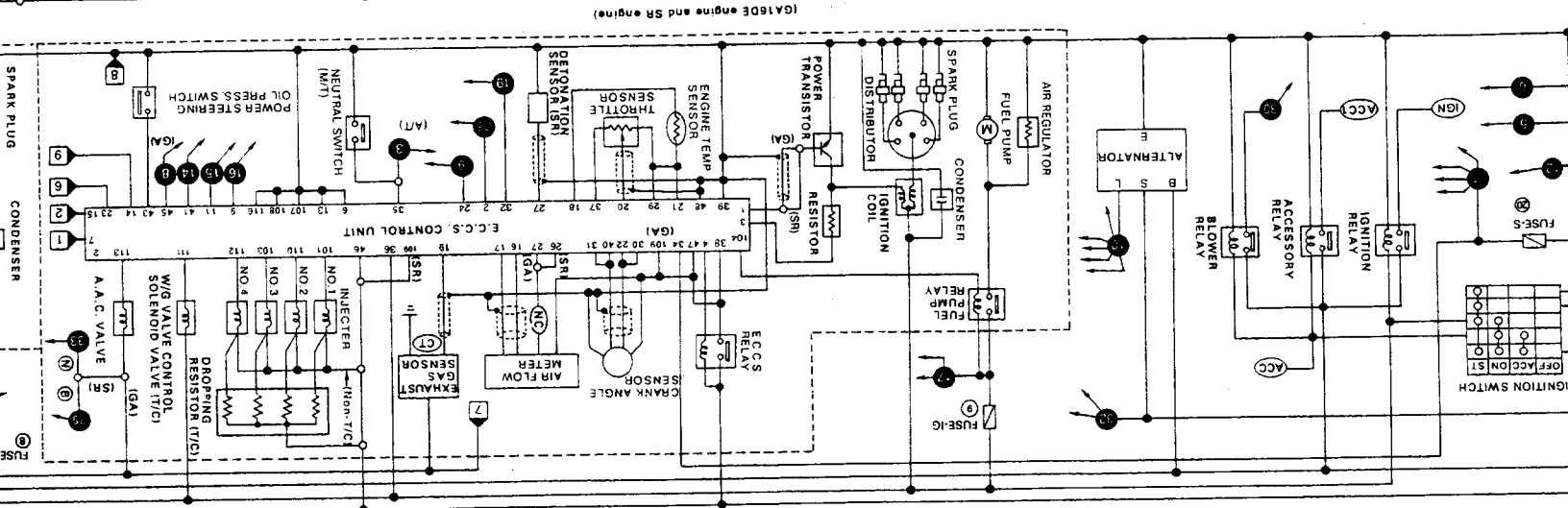
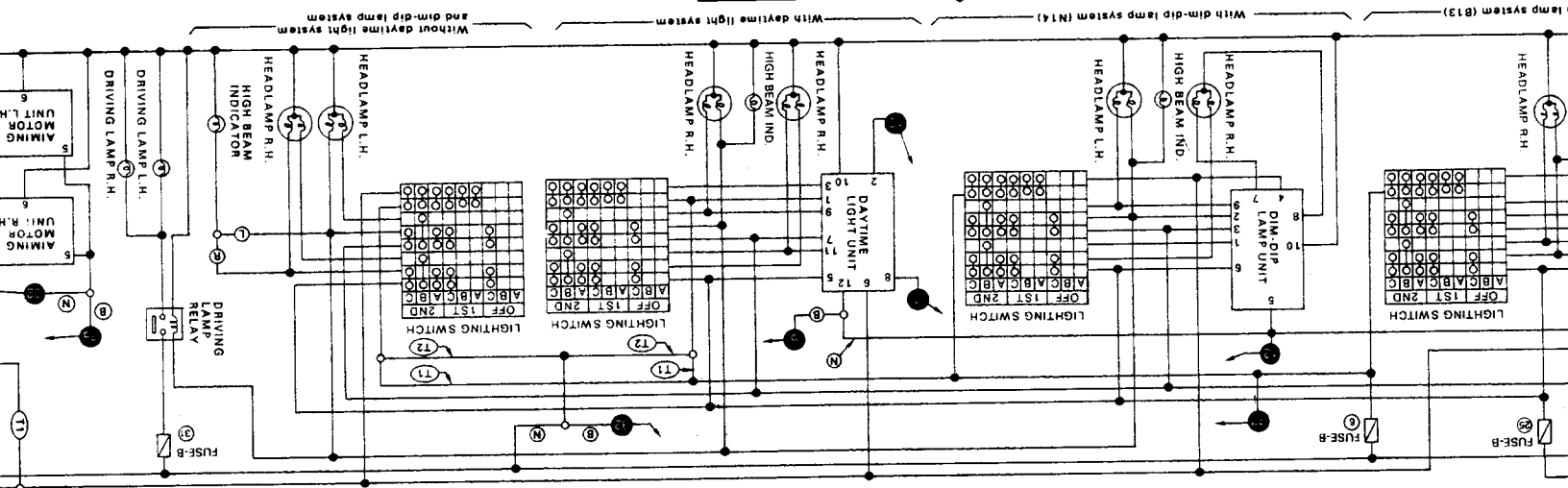
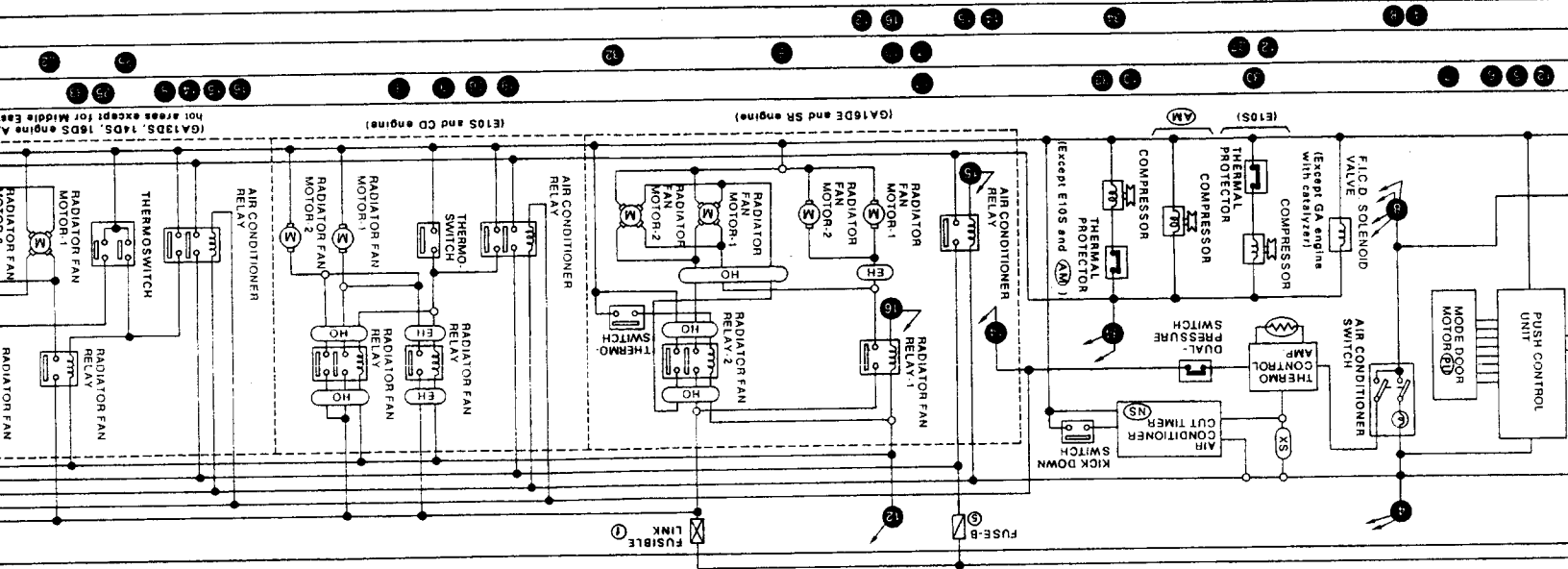
- ① L.H.D. model
- ② R.H.D. model
- ③ B13 model
- ④ N14 model
- ⑤ Coupe
- ⑥ Hatchback
- ⑦ Sedan
- ⑧ 5-door hatchback
- ⑨ G10S engine
- ⑩ G13DS, 14DS, 16DS engine
- ⑪ N14 model with GA14DS engine except for Europe
- ⑫ Except for Europe
- ⑬ A/T model for Middle East
- ⑭ Except for Europe
- ⑮ Lighting system type-1
- ⑯ Lighting system type-2
- ⑰ Without daytime light system
- ⑱ With power window system
- ⑲ Without power window system
- ⑳ Turbo model
- ㉑ Non-turbo model
- ㉒ With E.C.S
- ㉓ S/V : Solenoid valve











NISSAN B13/N14 Series CIRCUIT DIAGRAM

