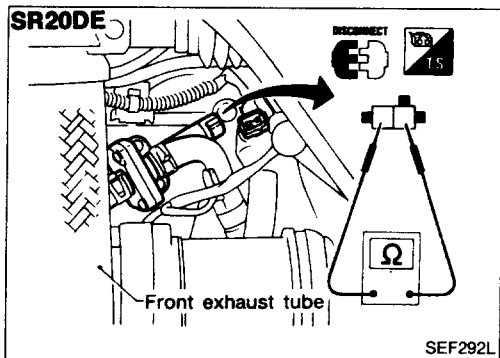
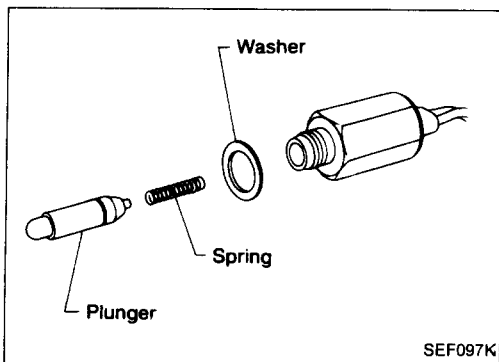


Electrical Components Inspection (Cont'd)

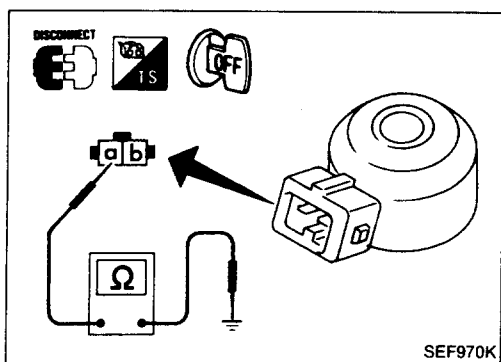
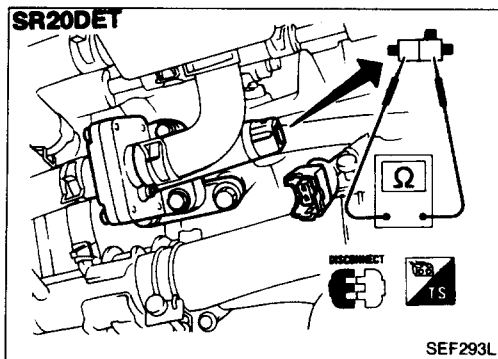
- Check plunger for seizing or sticking.
- Check for broken spring.



AIR REGULATOR

Disconnect air regulator harness connector.

- Check air regulator resistance.
- Resistance:**
Approximately 70 - 80Ω
- Check air regulator for clogging.



DETONATION SENSOR

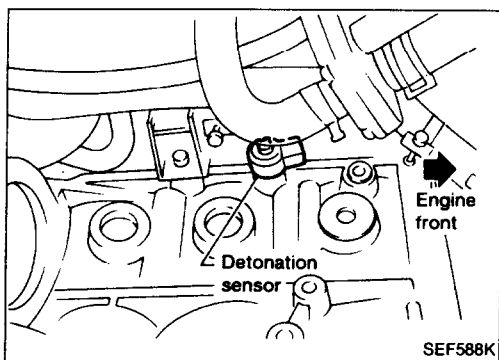
1. Disconnect detonation sensor harness connector.
2. Check continuity between terminal ⓐ and ground.

Continuity should exist.

- It is necessary to use an ohmmeter which can measure more than 10 MΩ.

CAUTION:

Discard any detonation sensor which has been dropped or undergone shocks; use a new one.



Installation

Install detonation sensor with connector side facing engine front.

- When installing detonation sensor, ensure both upper and lower sides of detonation sensor and cylinder block mating surface are clean and free from foreign particles.
- When tightening detonation sensor, be careful not to apply excessive force to connector.
- Make sure detonation sensor is not in contact with any adjacent part after installing.