



**WARNING:**

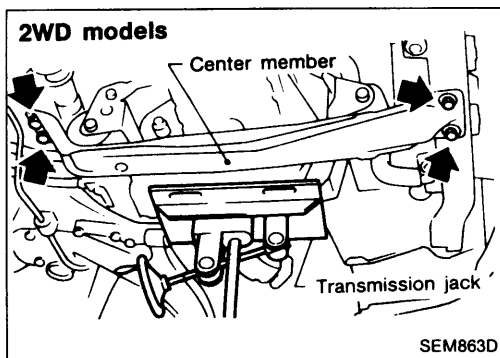
- a. Situate vehicle on a flat and solid surface.
- b. Place chocks at front and back of rear wheels.
- c. Do not remove engine until exhaust system has completely cooled off.  
Otherwise, you may burn yourself and/or fire may break out in fuel line.
- d. For safety during subsequent steps, the tension of wires should be slackened against the engine.
- e. Before disconnecting fuel hose, release fuel pressure from fuel line.  
Refer to "Releasing Fuel Pressure" in section EF & EC.
- f. Be sure to hoist engine and transaxle in a safe manner.
- g. For engines not equipped with engine slingers, attach proper slingers and bolts described in PARTS CATALOG.

**CAUTION:**

- When lifting engine, be careful not to strike adjacent parts, especially accelerator wire casing, brake lines, and brake master cylinder.
- In hoisting the engine, always use engine slingers in a safe manner.

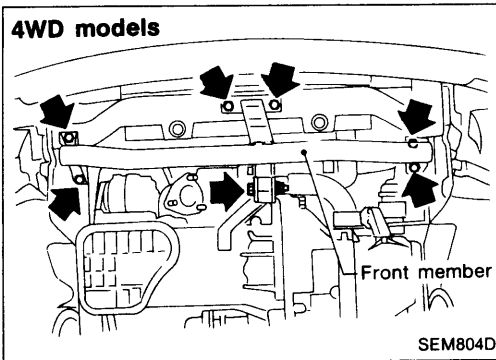
**Removal**

1. Remove engine under cover and hood.
2. Drain coolant from both cylinder block, and radiator.
3. Remove intercooler. (SR20DET only)
4. Remove vacuum hoses, fuel hoses, wires, harness and connectors and so on.
5. Remove exhaust tubes, ball joints and drive shafts.
6. Remove propeller shaft. (4WD models only)
7. Remove clutch operating cylinder. (4WD models only)
8. Remove radiator and fans.
9. Remove drive belts.
10. Remove alternator, compressor and power steering oil pump from engine.

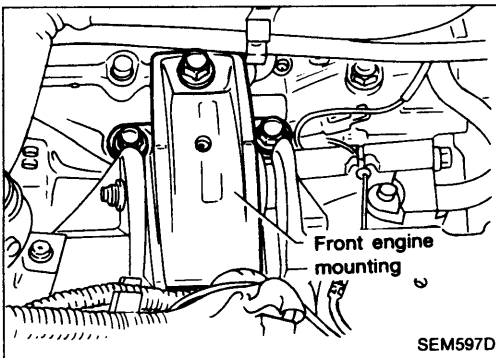


11. Set a suitable transmission jack under transaxle. Hoist engine with engine slinger.
12. ● 2WD models: Remove center member.  
● 4WD models: Remove front member.
13. Remove R.H. buffer. (4WD models only)

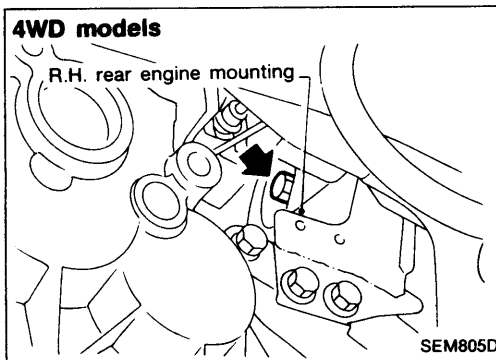
## Removal (Cont'd)



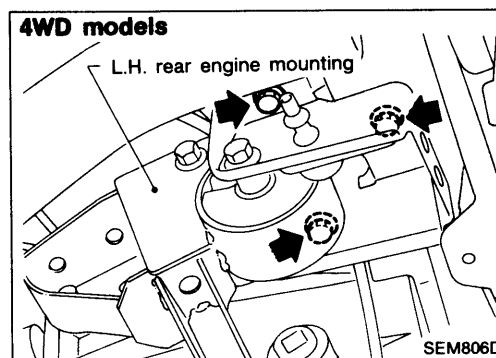
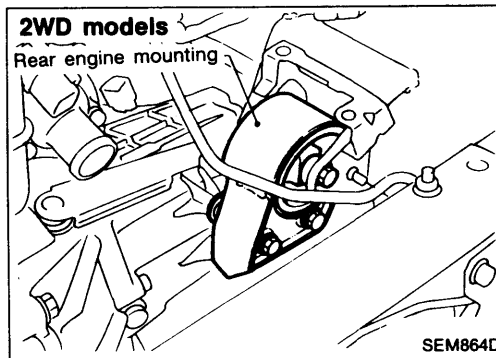
14. Remove front engine mounting.



15. Remove R.H. rear engine mounting. (4WD models only)

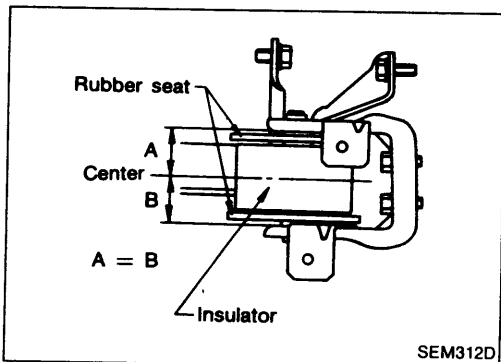
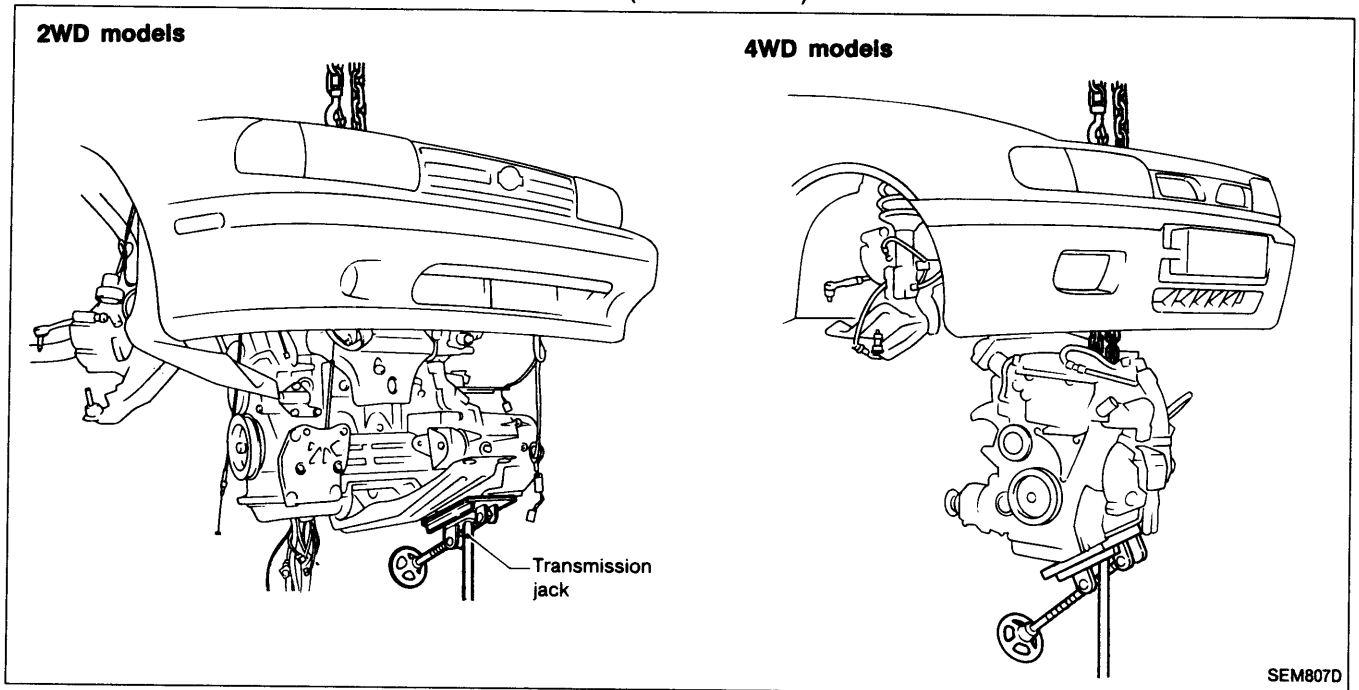


16. Remove rear engine mounting (engine left side) and then slowly lower transmission jack.



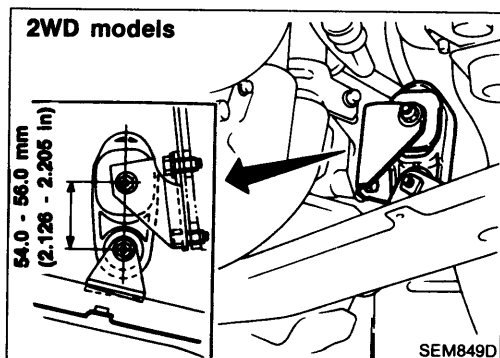
## Removal (Cont'd)

17. ● Remove engine with transaxle as shown. (2WD models)
- Remove engine with transaxle and transfer as shown. (4WD models)



## Installation

1. Install engine mounting bracket and fixing bolts.  
**Be sure that insulators are correctly positioned on the brackets.**
2. Carefully lower the engine onto engine mounting insulators.



**When installing the engine, adjust the height of the engine mounting as shown.**

3. Installation is in the reverse order of removal.

**Installation (Cont'd)**

