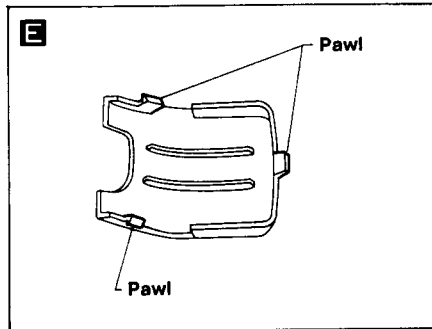
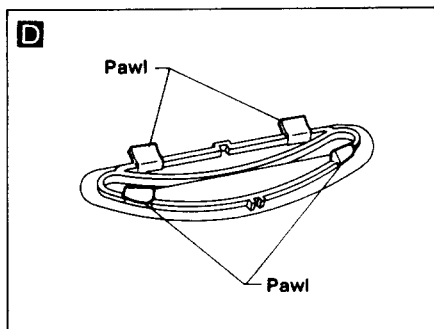
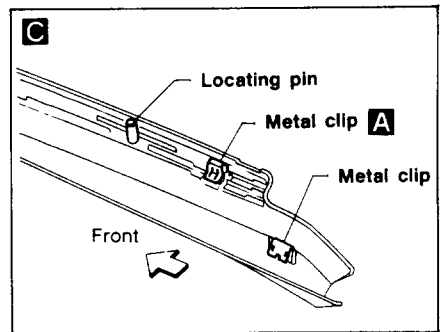
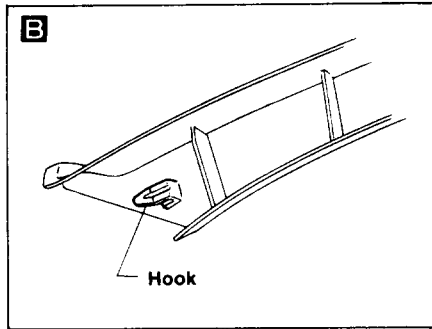
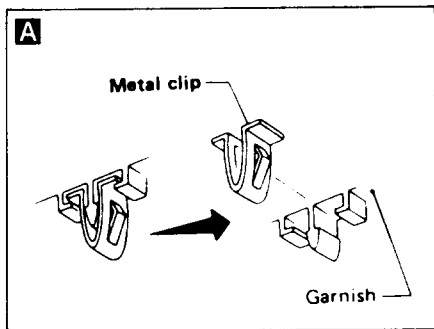


### N14 3-DOOR HATCHBACK

#### SIDE, LUGGAGE AND FLOOR TRIM

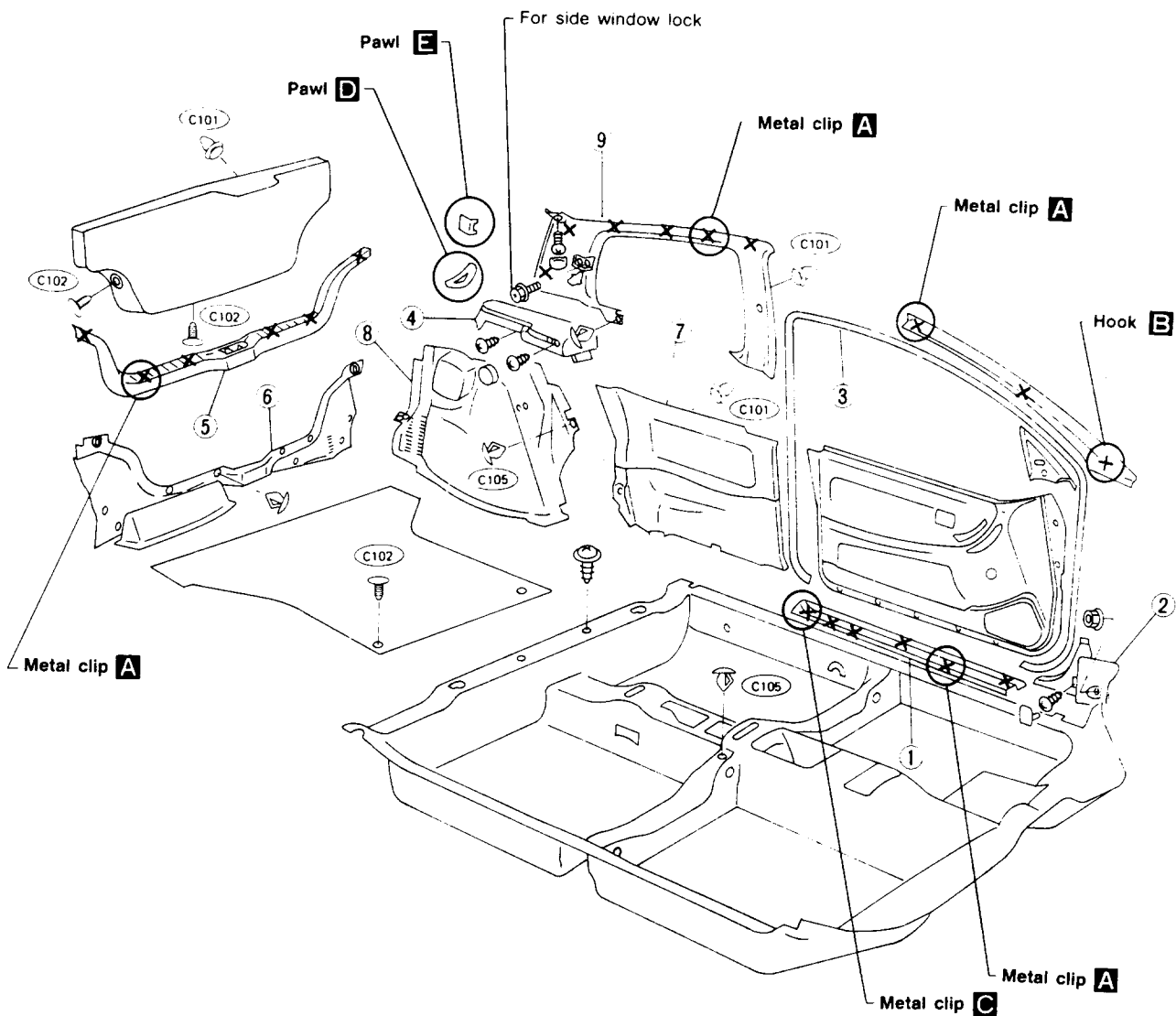
##### REMOVAL — Body side trim

- ① Remove kicking plate.
- ② Remove dash side finisher.
- ③ Remove body side welt.
- ④ Remove rear parcel shelf side finisher.
- ⑤ Remove luggage rear plate.
- ⑥ Remove luggage rear finisher.
- ⑦ Remove rear side finisher.
- ⑧ Remove luggage side lower finisher.
- ⑨ Remove rear pillar finisher.



# INTERIOR AND EXTERIOR

## Interior (Cont'd)



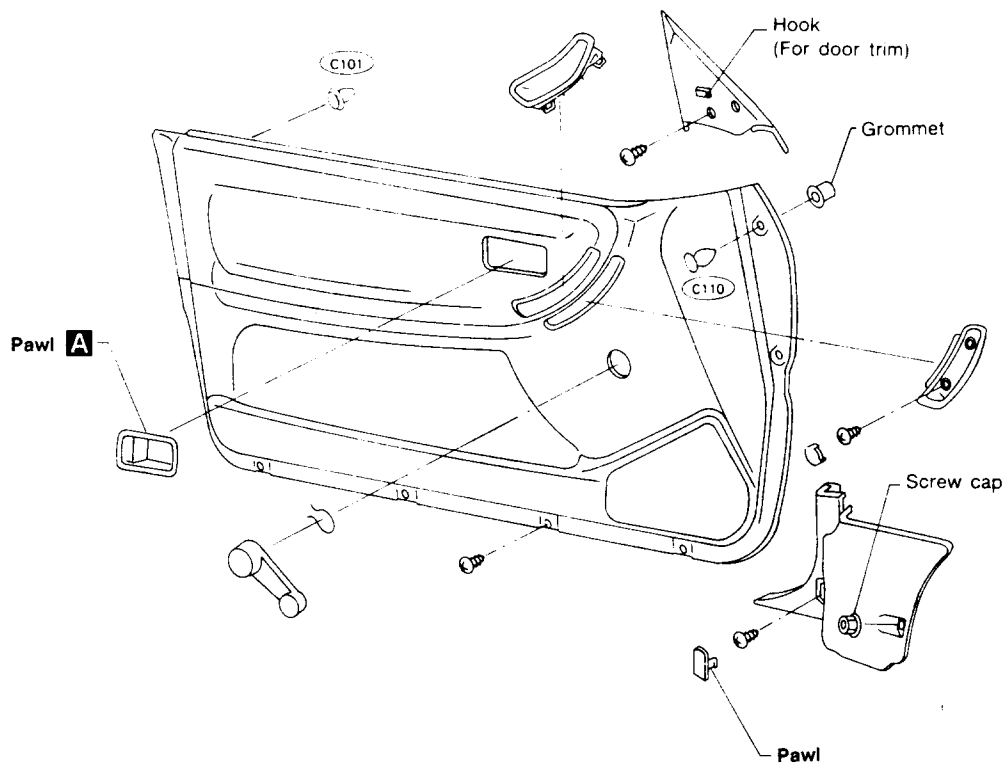
# INTERIOR AND EXTERIOR

## Interior (Cont'd)

### DOOR TRIM REMOVAL — Door trim

### REMOVAL — Door trim

- ① Remove inside handle escutcheon. (Refer to "DOOR".)
- ② Remove window regulator handle (Manual window models).
- ③ Remove door grip escutcheon.
- ④ Remove the four screws.
- ⑤ Remove clips securing door finisher.
- ⑥ Lift out door finisher.



MBF287A

# INTERIOR AND EXTERIOR

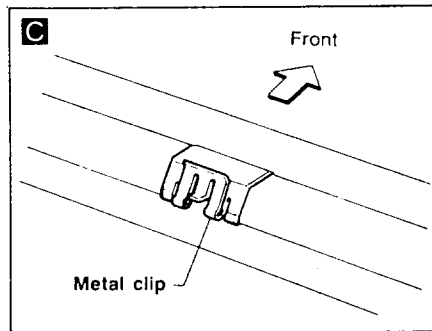
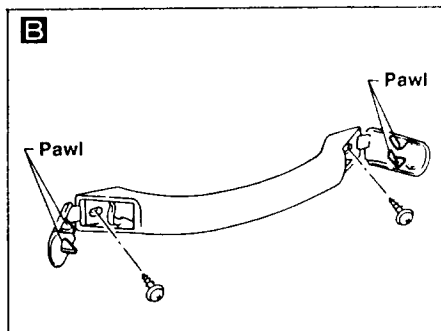
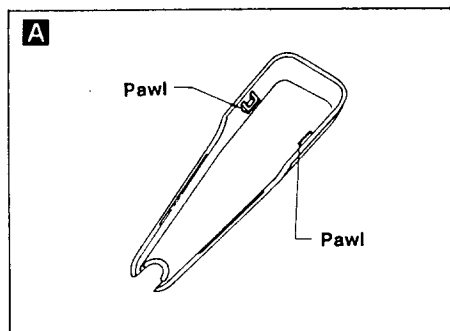
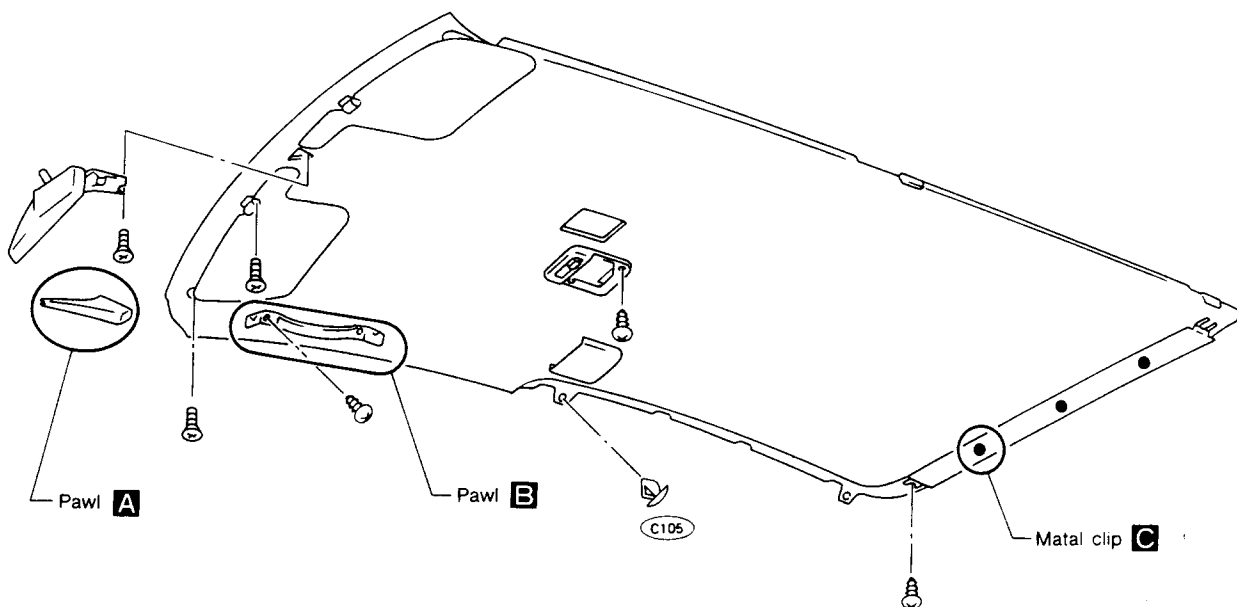
## Interior (Cont'd)

### **N14** 5-DOOR HATCHBACK AND 3-DOOR HATCHBACK

#### ROOM TRIM

#### REMOVAL — Headlining

- ① Remove body side trim. Refer to "REMOVAL — Body side trim" for details.
- ② Remove assist grip.
- ③ Remove interior lamp.
- ④ Remove rear roof garnish.
- ⑤ Remove sunvisors.
- ⑥ Remove rear-view mirror.
- ⑦ Remove headlining.



### N14 5-DOOR HATCHBACK BACK DOOR TRIM

#### CAUTION:

Warp the tip of a flat-bladed screwdriver with a cloth when removing metal clips from garnishes.

#### REMOVAL — Back door window welt.

- ① Remove back door window welt.
- ② Remove back door lower finisher.
- ③ Remove back door upper finisher.
- ④ Remove parcel shelf hook.
- ⑤ Remove back door side finisher.

