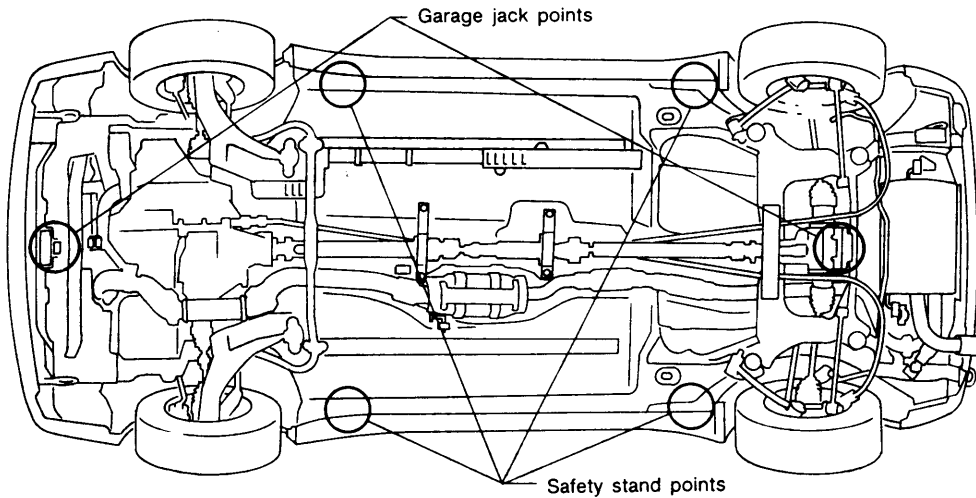


LIFTING POINTS AND TOW TRUCK TOWING

Garage Jack and Safety Stand (Cont'd)

4-wheel drive models



Note:
Safety stand points are the same as pantograph jack points.

Use safety stand attachment as shown for stable support.

